

Development Concept

For the recent decades, design that accentuates open and transparent atmosphere makes entrance point of a building become an important element.

High-class design, comfort and safety are some of the things YKK AP INDONESIA can provided. With high awareness to contribute for environment, YKK AP INDONESIA has a concept of "Green Building" in it's design and products.

UCW-125 is one of YKK AP INDONESIA's product that sets out GREEN & CLEAR concept. YKK AP proved as the expert of with a wide experience in Japan and abroad. Those experience and technique has been applied to UCW-125. We offer UCW-125 to give more value and higher performance building to architects and building owner.

UCW-125 Unitized Curtain Wall



Green Technology

Proper Green



GBCI Member



ISO 14001



PT YKK AP INDONESIA

Head Office & Factory
Kawasan Industri Manis
Jl. Manis Raya No. 23, Ds. Kadu, Kec. Curug,
Tangerang 15810, Banten, Indonesia
Tel: +62 21 591 9073 Fax: +62 21 591 9074
www.ykkap.co.id

Representative Office in Vietnam

11th Floor AB Tower, 76 Le Lai Street
Ben Thanh Ward, District 1
Ho Chi Minh City, Vietnam
Tel: +84 8 3822 8900 Fax: +84 8 3822 8901
www.ykkap.com.vn

Jakarta Sales & Marketing Office

Panin Dai-ichi Life
Jl. S. Parman Kav. 91, 3A Floor,
Jakarta 11420, Indonesia
Tel: +62 21 569 56333 (Hunting) Fax: +62 21 569 56335

YKK AP (THAILAND) CO., LTD.

Wave Place Building, 13th Floor No. 55
Wireless Road, Lumpini, Pathumwan
Bangkok 10330, Thailand
Tel: +66 2 655 6334 Fax: +66 2 655 6399
www.ykkap.co.th

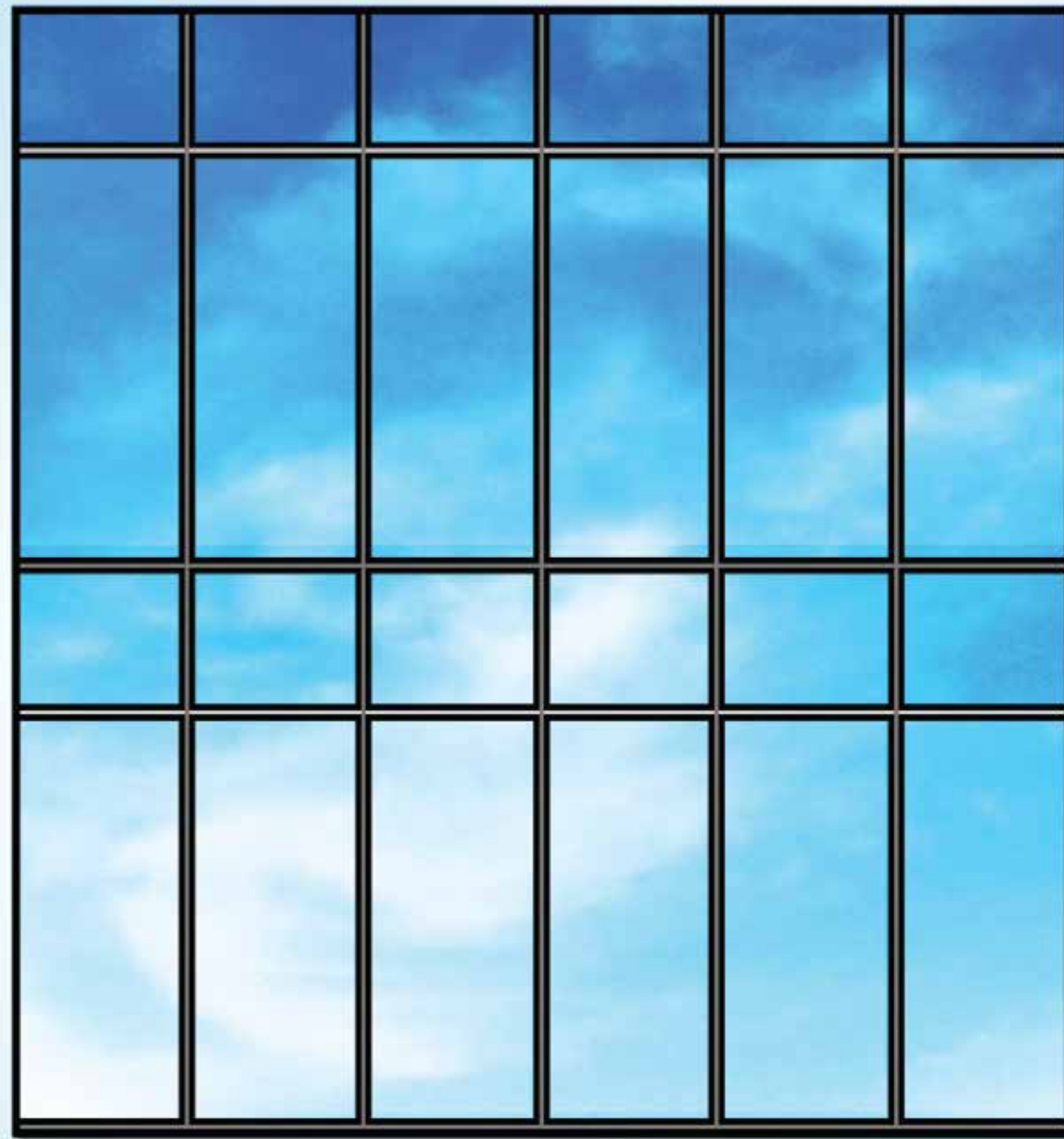
Surabaya Branch Office

Gedung Bumi Mandiri Tower I, 6th Floor
Jl. Jend. Basuki Rachmat 129-137,
Surabaya 60271, Jawa Timur, Indonesia
Tel: +62 31 535 1800 (Hunting) Fax: +62 31 535 1700

YKK AP MYS SDN. BHD.

D4-3-5, Solaris Dutamas
No. 1 Jalan Dutamas 1,
50480 Kuala Lumpur, Malaysia
Tel: +60 3 2301 7400 Fax: +60 3 2301 7401
www.ykkap.com.my





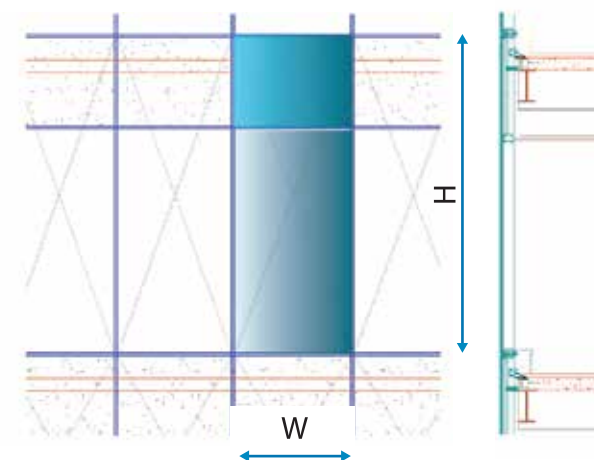
Clear and Safety Design

Sharp Image



Sharp image for vertical and horizontal frame.

Maximum Dimension



Maximum Size W x H = 1500 x 4000 mm

Aluminium Fastener



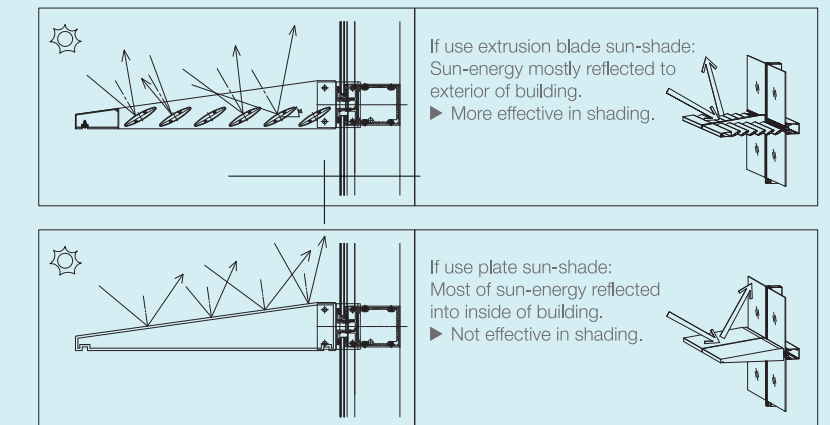
- No welding work at site
- Fire spark that caused glass damaged & easy installation setting
- No corrosion

Energy Conservation

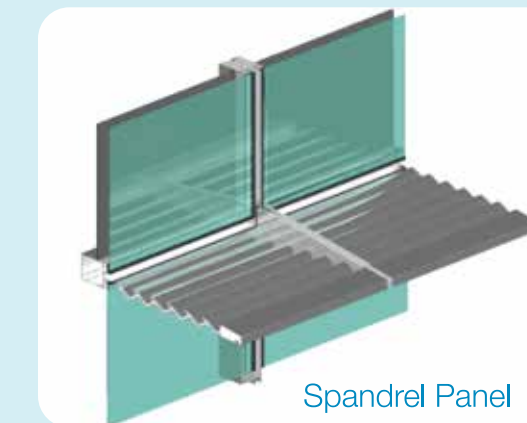
Green Building Ready

Sunshade

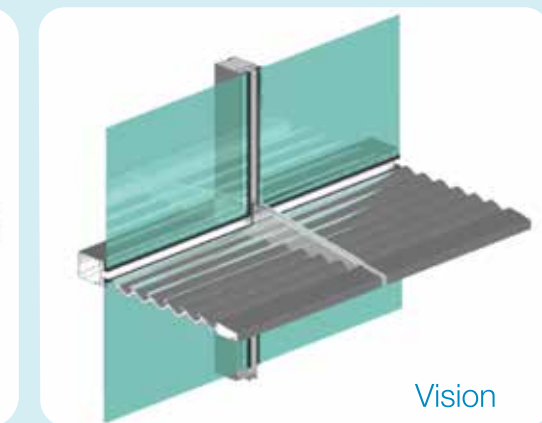
- Environment friendly
- Cost efficiency for air condition



Available for both of spandrel and vision



Spandrel Panel



Vision

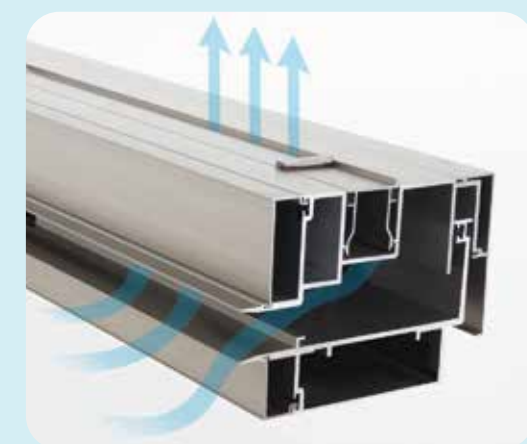
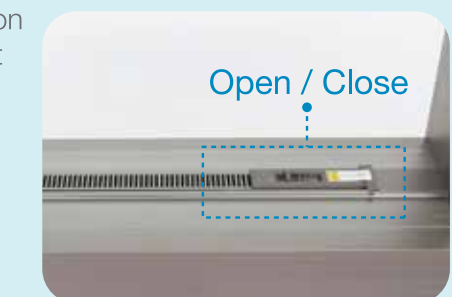
Support A12 Double Glass



Double glazing for sound and thermal insulation.

Air Ventilation System

- For environmental consideration
- Prevent insects entry and dust
- Natural air from outside



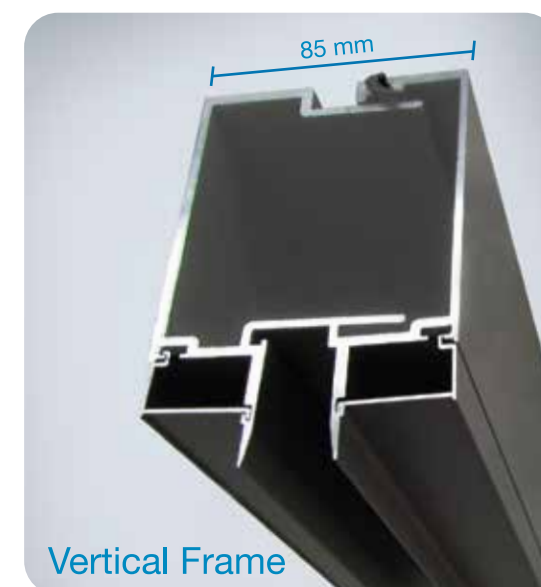
UCW-125 Unitized Curtain Wall

PRODUCT SPECIFICATION

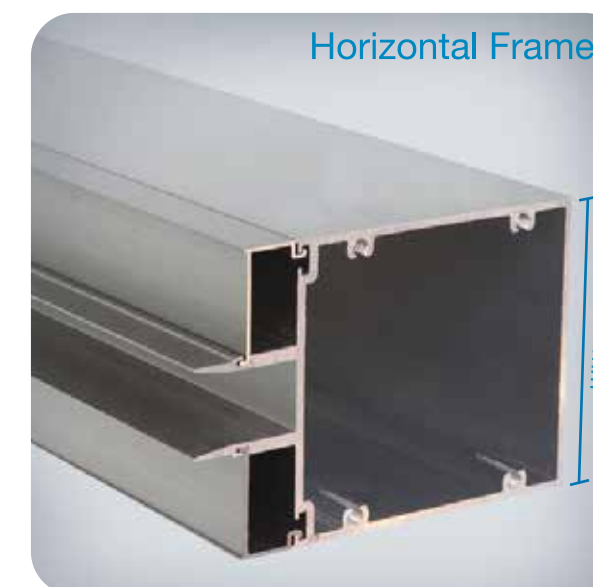
PERFORMANCE	DESIGN	ALLOWABLE	TEST METHOD
AIR INFILTRATION	75 Pa *300 Pa	5.4 m ³ / h.m ²	AAMA ASTM E 283
WATER TIGHTNESS	240 Pa (20% x Structural)	NO SIGNIFICANT LEAKAGE	AAMA ASTM E 331 & 547
STRUCTURAL	1200 Pa 1800 Pa (proof load test)	Deflection = L/175 shall be no structural failure or permanent damage of component	AAMA ASTM E 330
DIMENSION	W maximum H maximum	1500 mm 4000 mm	
GLASS USAGE	Single Glass Double Glass	6 mm, 8 mm 24 mm (6mm+A12+6mm)	

* For higher specification is available

Same Appearance



Vertical Frame



Horizontal Frame